

Description

The EXR40 is a wiper-water relay and has been optimised for the windscreen wiper application for passenger cars and commercial vehicles. The selection below shows one variant each for 12 V, 24 V and one that covers both on-board voltages. The variable resistor built into the steering column allows to set an interval of 4 to 20 seconds between the wiping processes. Actuating the washer pump triggers a re-wipe time of approx. 4 seconds. By integrating a limit switch, the windscreen wiper always stops at the desired position.

Please contact us if you require a wiper-water relay with different performance data. We have various relay design platforms available that allow us to quickly respond to customer requests. The EXR40 wiper-water relay is suitable for standard automotive relay sockets according to ISO 7588.

Applications

Scope of applications:

- Passenger cars
- Trucks and buses
- Agricultural vehicles and forestry equipment
- Construction machinery
- Special vehicles and emergency cars
- Watercraft (ships, motor yachts etc.)

Typical applications:

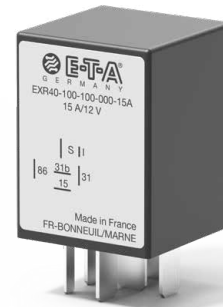
- Windscreen wipers

Benefits

- Save time by using well-proven components.
- Become more flexible with a variant for both on-board voltages.
- Windscreen wipers blocked by ice are repeatedly the cause of damaged windscreen wiper relays. The electronic EXR40 is the ideal solution.

Technical data – EXR40-100-100-000-15 A

Rated voltage	12 V
Continuous current	15 A
Output power @ 25 °C	180 W
Operating voltage	9 V ... 15 V
Power consumption	approx. 10 mA ... 100 mA
Interval time	4 s ... 20 s
Number of cycles	100,000
Operating temperature	-40 °C ... -85 °C
Mass	40 g
Materials	
Blade terminals	DIN 46244 – A6.3 x 0.8 DIN 46244 – A2.8 x 0.8 CuZn 37 F37
Contact material	AgNiO
Housing material	PA6GF



EXR40

Technical data – EXR40-200-100-000-15 A

Rated voltage	24 V
Continuous current	15 A
Output power @ 25 °C	360 W
Operating voltage	18 V ... 30 V
Power consumption	10 mA ... 100 mA
Interval time	4 s ... 20 s
Number of cycles	100,000
Operating temperature	-40 °C ... -85 °C
Mass	50 g
Materials	
Blade terminals	DIN 46244 – A6.3 x 0.8 DIN 46244 – A2.8 x 0.8 CuZn 37 F37
Contact material	AgNiO2
Housing material	PA6GF

Technical data – EXR40-300-100-000-10 A

Rated voltage	12 V/ 24 V
Continuous current	10 A
Output power @ 25 °C	240 W
Operating voltage	9 V... 30 V
Power consumption	approx. 10 mA
Interval time	4 s ... 20 s
Number of cycles	1,000,000
Operating temperature	-40 °C ... -85 °C
Mass	50 g
Materials	
Blade terminals	DIN 46244 – A6.3 x 0.8 DIN 46244 – A2.8 x 0.8 CuZn 37 F37
Contact	Electronically
Housing material	PA6GF

Qualifications

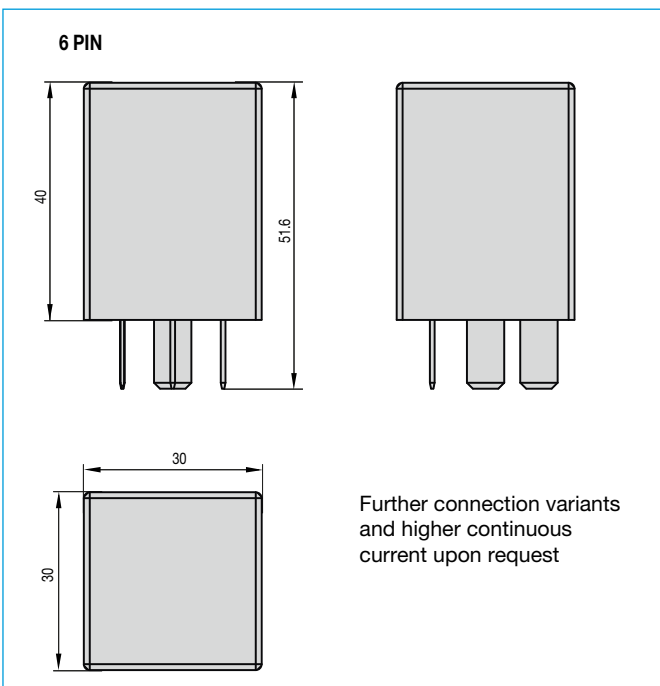
Degree of protection	IP52
Noise immunity	EMC DIN 40839 EMC 95/54 EG
E1 approval	E 035314

Ordering information

Type no.

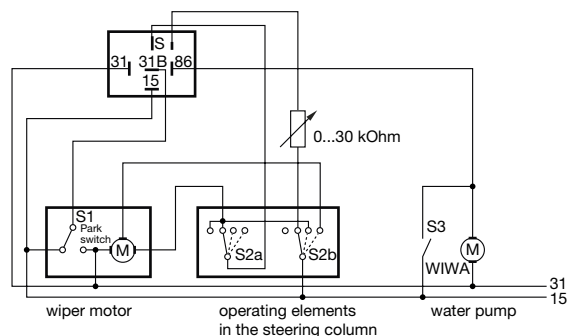
EXR40	Special relay
Operating voltage	
1	12 V
2	24 V
3	12 V / 24 V
Control	
0	Positive activation
Interval time between	
0	4 s ... 20 s
Standard	
100 - 000	
Custom designed versions	
Project number - Part 1	
049	Project index number according to region (international area code) e.g. 049 = +49 Germany 033 = +33 France 351 = +351 Portugal 001 = +1 USA
Project number - Part 2	
001	Serial number
Current rating	
15 A	(EXR40-1 ... / EXR40-2...)
10 A	(EXR40-3...)
EXR40 - 1 0 0 - 100 - 000 - 15 A	Ordering example
EXR40 - 2 0 0 - 100 - 000 - 15 A	Ordering example
EXR40 - 3 0 0 - 100 - 000 - 10 A	Ordering example

Dimensions

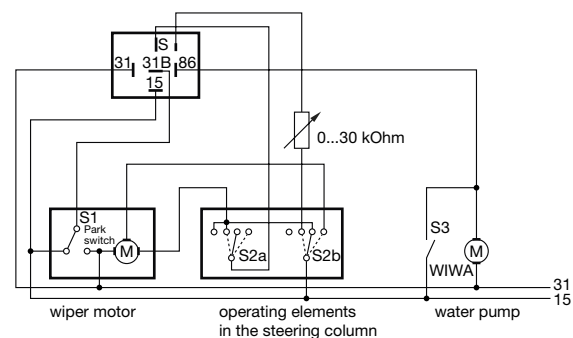


Schematic diagram / Pin assignment

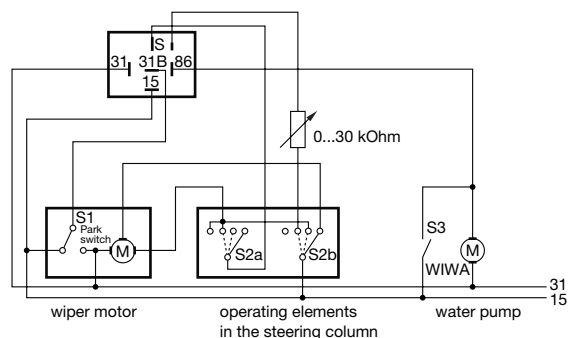
Interval



Interval slow



Interval fast



All information and data given on our products are accurate and reliable to the best of our knowledge, but E-T-A does not accept any responsibility for the use in applications which are not in accordance with the present specification. E-T-A reserves the right to change specifications at any time in the interest of improved design and performance. Dimensions are subject to change without notice. Please enquire for the latest dimensional drawing with tolerances if required. All dimensions, data, pictures and descriptions are for information only and are not binding. Amendments, errors and omissions excepted. Part numbers of the devices may differ from their marking.